

Symbolbeschreibung siehe M16 / symbol description see M16 / désignation de système voir M16 /

GRUPPE: 1.0 EINZELTEILE
GROUP: 1.0 PIECE PARTS
GROUPE: 1.0 PIÈCES CONSTITUANTES

C1

-HD 3600 DH

POS. ITM. POS.	BENNENUN DESCRIPTION DESIGNATION	TEILE-NR. PART-NO. NO.PIECE	STCK QTY. NBR.
2	STERNGRIF 1/4" / CONTROL KNOB / POIGNEE-ETOILE	9.182-353.0	2
3	FL.RD.SCHR / SAUCER-HEAD SCREW / BOULON A TETE BOMBEE	9.196-307.0	2
5	GUMMIPUFFER / RUBBER BUFFER / BUTOIR CAOUTCHOUC	9.183-405.0	2
6	BOLZEN 5/16"-18X3/4 / BOLT / BOULON	9.196-308.0	2
7	KAPPE / CAP / CAPUCHON	9.182-506.0	2
8	RAD DMR 260X84 / WHEEL / ROUE	9.189-007.0	2
9	STOPFEN SCHWARZ / PLUG / BOUCHON	9.183-001.0	2
10	HALTER / BRACKET / FIXATION	9.142-009.0	1
11	SCHEIBE / WASHER / RONDELLE	9.198-003.0	2
12	MUTTER / NUT / ECROU	5.310-105.0	2
14	MUTTER 3/6-16 / NUT / ECROU	9.197-003.0	4
15	SCHEIBE 3/8 / WASHER / RONDELLE	9.198-004.0	8
16	SCHRAUBE 3/8-16X2.0 / SCREW / VIS	9.186-021.0	4

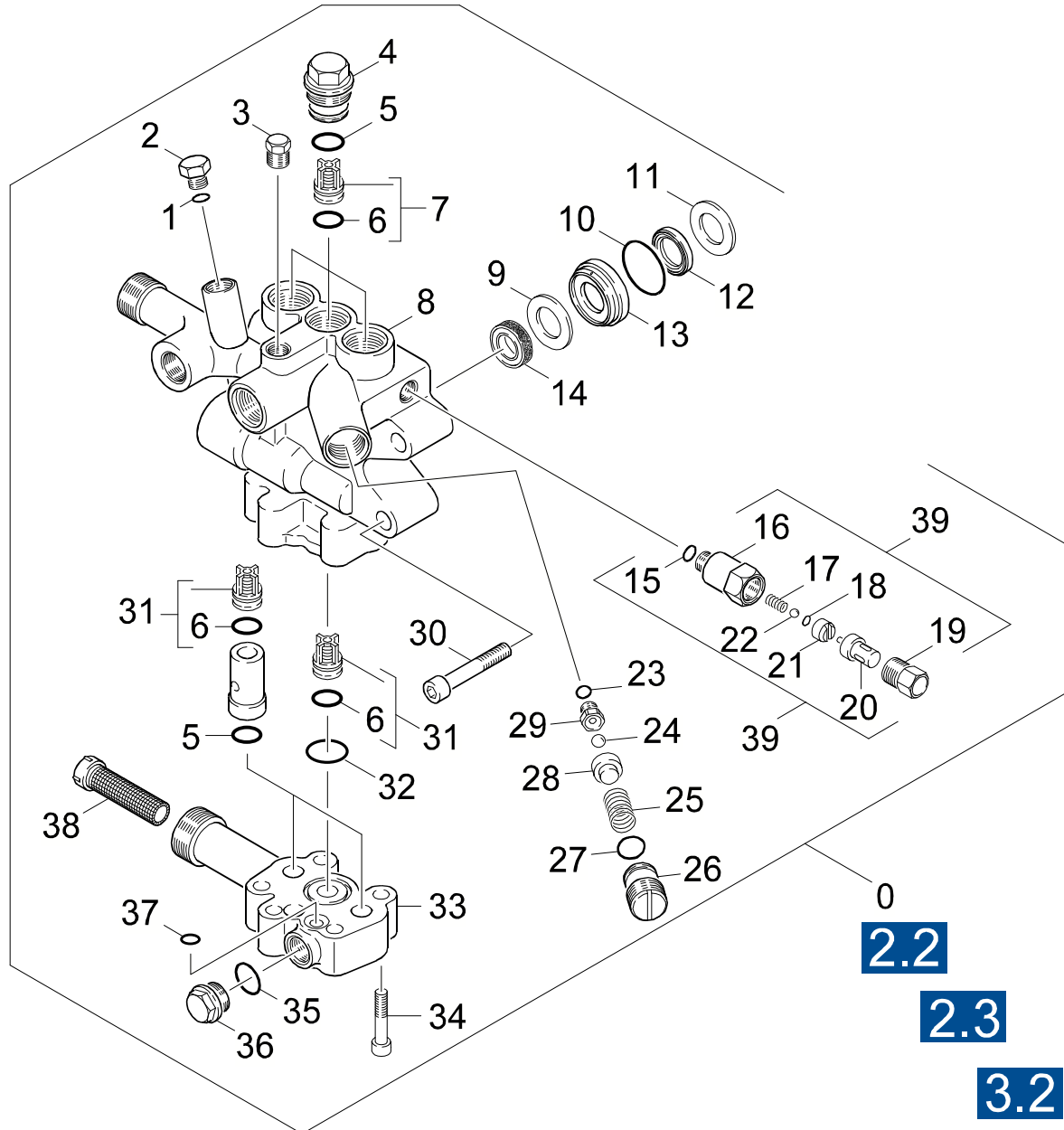
"=> xxxxxx" = bis Werknummer / up to serial No. / jusqu' au No. de fabr. / "xxxxxx =>" = ab Werknummer / from serial No. / a partir du No. de fabr. /

GRUPPE: 2.0 PUMPENSATZ
GROUP: 2.0 PUMP SET
GRUPPE: 2.0 JEU (ENSEMBLE) DE POMPE

A2

-HD 3600 DH

GRUPPE: 2.0 PUMPENSATZ
GROUP: 2.0 PUMP SET
GRUPPE: 2.0 JEU (ENSEMBLE) DE POMPE



Symbolbeschreibung siehe M16 / symbol description see M16 / désignation de système voir M16 /

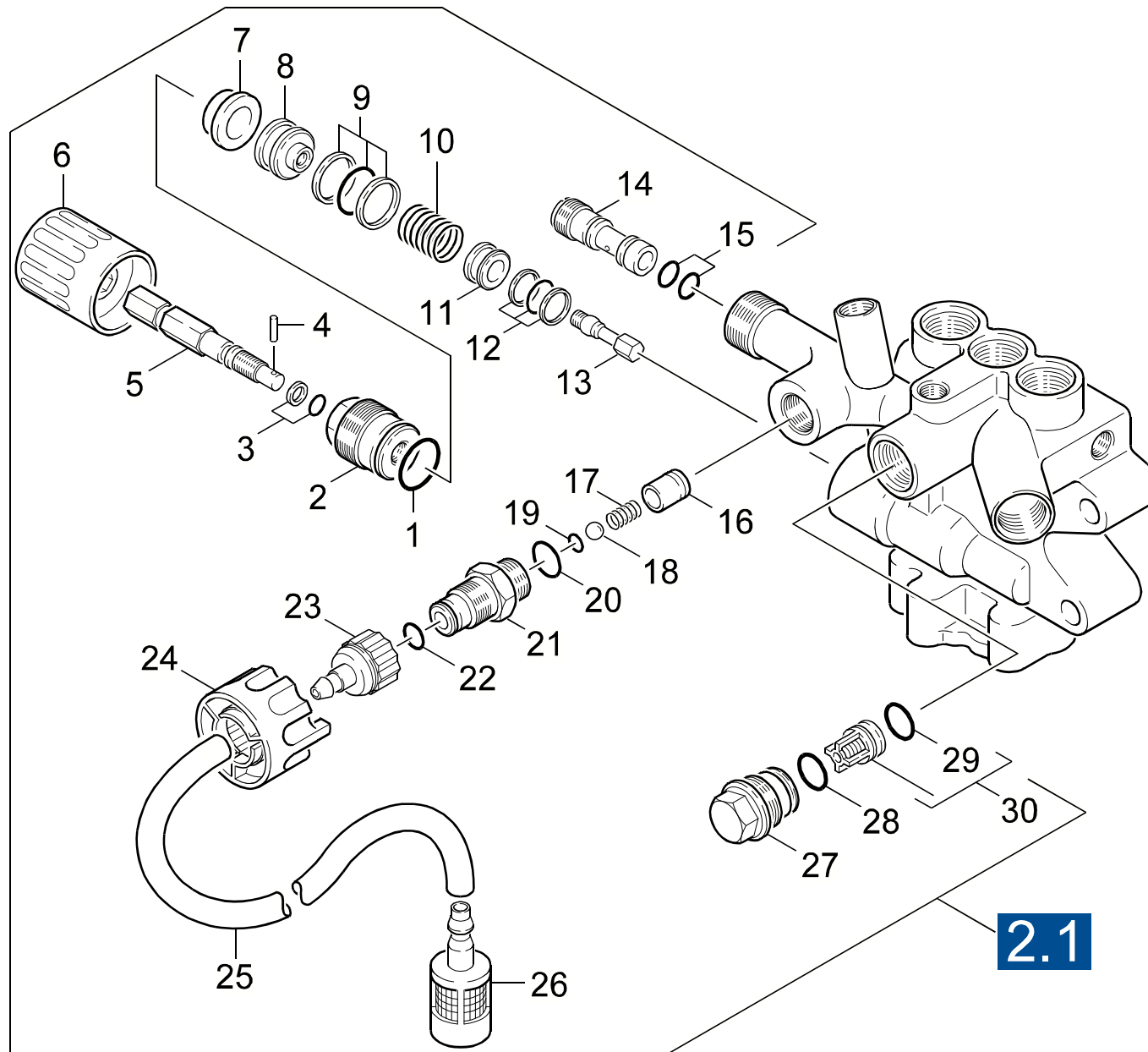
GRUPPE: 2.1 ZYLINDERKOPF
 GROUP: 2.1 CYLINDER HEAD
 GROUPE: 2.1 CULASSE

C2

-HD 3600 DH

POS. ITM. POS.	BENNENNUNG DESCRIPTION DESIGNATION	TEILE-NR. PART-NO. NO.PIECE	STCK QTY. NBR.	POS. ITM. POS.	BENNENNUNG DESCRIPTION DESIGNATION	TEILE-NR. PART-NO. NO.PIECE	STCK QTY. NBR.
0	PUMPENSATZ / PUMP SET / JEU (ENSEMBLE) DE POMPE	3.532-757.0	1	34	ZYL.SCHR. M 8X 35 / CHEESE HEAD SCREW / VIS A TETE CYLINDR.	7.306-044.0	5
1	O-RING 6,0 X 2,0 / GASKET / BAQUE D'ETANCHEITE	6.362-113.0	1	35	O-RING 15,0 X 2,0 / GASKET / BAQUE D'ETANCHEITE	6.362-427.0	1
2	VERSCHLUSSSCHRAUBE / CLOSING SCREW / VIS DE FERMETURE	5.411-070.0	1	36	VS-SCHRAUBE M18X1,5 / CLOSING SCREW / VIS DE FERMETURE	7.382-235.0	1
3	VS-SCHRAUBE R 1/8" / CLOSING SCREW / VIS DE FERMETURE	7.382-274.0	1	37	O-RING 9,0 X 1,5 / GASKET / BAQUE D'ETANCHEITE	6.362-384.0	3
4	VENTILSCHRAUBE / VALVE SCREW / VIS POINTEAU (SOUP.)	5.583-146.0	4	38	SIEB / STRAINER / CREPINE	6.414-282.0	1
5	O-RING 14,0 X 2,0 / GASKET / BAQUE D'ETANCHEITE	6.362-481.0	6	39	THERMOVENTIL / VALVE / SOUPAPE	4.580-355.0	1
6	O-RING 13,0 X 2,0 / GASKET / BAQUE D'ETANCHEITE	6.363-003.0	6	100	ET-SET PUMPENSATZ / SPARE PARTS SET / JEU DE PIECES DECHANGE	2.884-217.0	1
7	VENTIL KPL. / VALVE / SOUPAPE	4.580-295.0	3				
8	ZYLINDERKOPF / CYLINDER HEAD / CULASSE	5.550-273.0	1				
9	SCHEIBE / WASHER / RONDELLE	5.115-492.0	3				
10	O-RING 27,5 X 1,5 / GASKET / BAQUE D'ETANCHEITE	6.362-398.0	3				
11	SCHEIBE / WASHER / RONDELLE	5.115-493.0	3				
12	KOMPAKTDICHTUNG / SEAL / JOINT	6.365-351.0	3				
13	BUCHSE / BUSH / DOUILLE	5.112-402.0	3				
14	NUTRING 16X24X5.3 / GROOVED RING / JOINT A LEVRES	6.365-408.0	3				
15	O-RING 8 X 2 / GASKET / BAQUE D'ETANCHEITE	6.362-101.0	1				
16	SCHRAUBSTUTZEN / SCREW UNION / RACCORD FILETE	5.402-637.0	1				
17	SCHRAUBENFEDER / HELICAL SPRING / RESSORT CYLINDRIQUE	5.332-233.0	1				
18	O-RING 4,47X 1,78 / GASKET / BAQUE D'ETANCHEITE	6.362-853.0	1				
19	VERSCHLUSSSCHRAUBE / CLOSING SCREW / VIS DE FERMETURE	5.411-150.0	1				
20	THERMOVENTIL / VALVE / SOUPAPE	6.413-067.0	1				
21	SCHEIBE / WASHER / RONDELLE	5.115-876.0	1				
22	KUGEL 4,762 / BALL / BOULE	7.401-009.0	1				
23	O-RING 6,0 X 1,5 / GASKET / BAQUE D'ETANCHEITE	6.362-703.0	1				
24	KUGEL 7,0 / BALL / BOULE	7.401-908.0	2				
25	SCHRAUBENFEDER / HELICAL SPRING / RESSORT CYLINDRIQUE	5.332-203.0	1				
26	VENTILSCHRAUBE / VALVE SCREW / VIS POINTEAU (SOUP.)	5.583-089.0	1				
27	O-RING 12,0 X 2,0 / GASKET / BAQUE D'ETANCHEITE	6.362-169.0	1				
28	VENTILTELLER / VALVE DISC / TETE DE SOUPAPE	5.582-075.0	1				
29	VENTILSITZ / VALVE SEAT / SIEGE DE SOUPAPE	5.581-218.0	1				
30	ZYL.SCHR. M10X 70 / CHEESE HEAD SCREW / VIS A TETE CYLINDR.	7.306-125.0	4				
31	VENTIL KPL. / VALVE / SOUPAPE	4.580-329.0	3				
32	O-RING 20,0 X 1,5 / GASKET / BAQUE D'ETANCHEITE	6.362-547.0	1				
33	VENTILGEHAUSE / VALVE HOUSING / CORPS DE SOUPAPE	5.060-809.0	1				

"=> xxxxxx" = bis Werknummer / up to serial No. / jusqu' au No. de fabr. / "xxxxxx =>" = ab Werknummer / from serial No. / a partir du No. de fabr. /



Symbolbeschreibung siehe M16 / symbol description see M16 / désignation de système voir M16 /

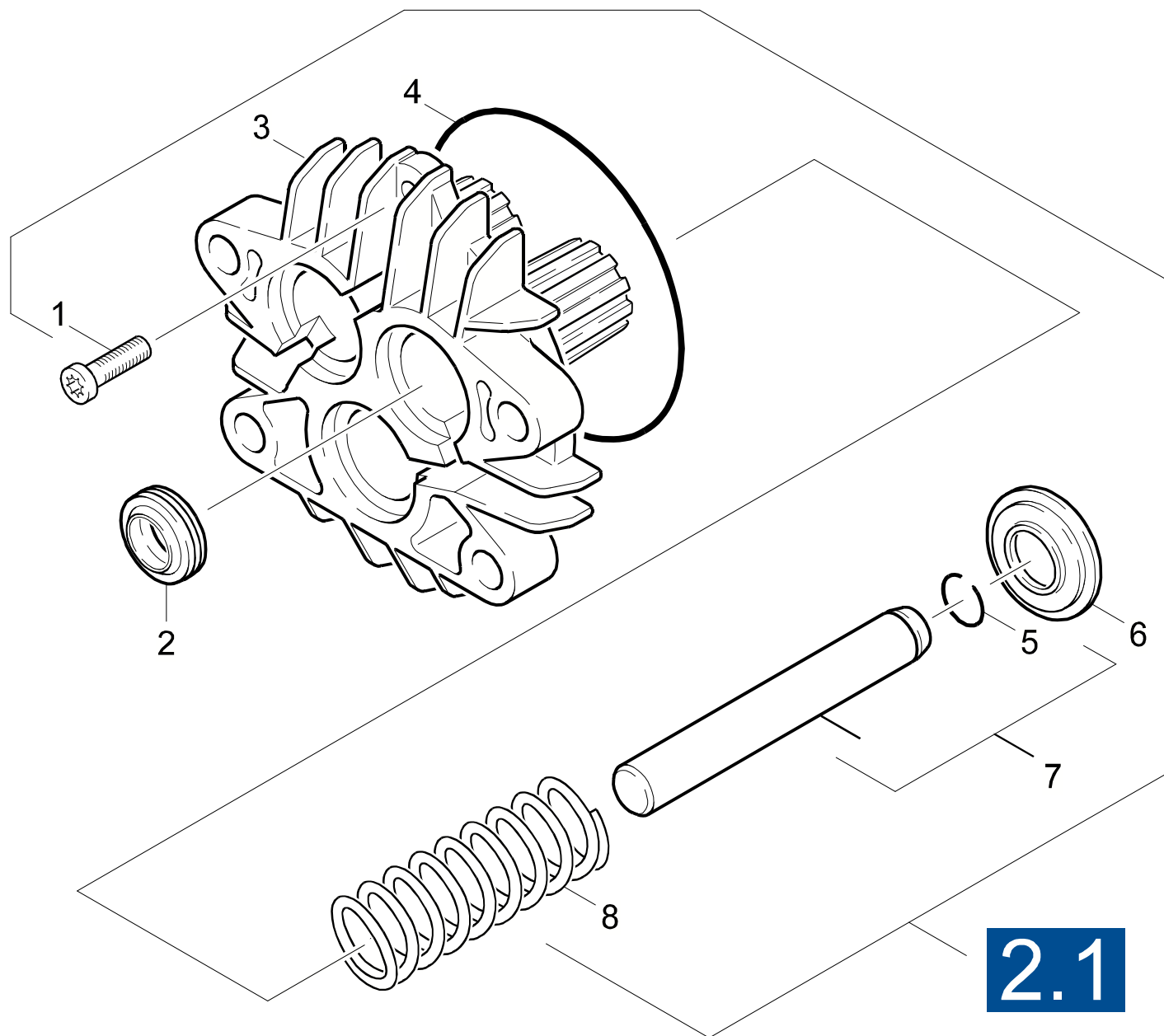
GRUPPE: 2.2 CHEMIE
 GROUP: 2.2 CHEMISTRY
 GROUPE: 2.2 CHIMIE

E2

-HD 3600 DH

POS. ITM. POS.	BENNENUNG DESCRIPTION DESIGNATION	TEILE-NR. PART-NO. NO.PIECE	STCK QTY. NBR.
1	O-RING 18,0 X 2,0 / GASKET / BAQUE D'ETANCHEITE	6.362-989.0	1
2	VENTILSCHRAUBE / VALVE SCREW / VIS POINTEAU (SOUP.)	5.583-147.0	1
3	O-RING KPL./1ST.-R. / GASKET / BAQUE D'ETANCHEITE	6.362-468.0	1
4	KNEBELKERBS. 2,0X10 / GROOVED PIN / GOUPILLE CANNELEE	7.314-629.0	1
5	SPINDEL / SPINDLE / PIVOT	5.291-073.0	1
6	GRIFF / HANDLE / POIGNEE	5.321-307.0	1
7	HUELSE / SLEEVE / DOUILLE	5.110-630.0	1
8	KOLBEN UEBERSTROEM. / PISTON / PISTON	5.553-363.0	1
9	O-RING KPL./2ST.-R. / GASKET / BAQUE D'ETANCHEITE	6.362-977.0	1
10	SCHRAUBENFEDER / HELICAL SPRING / RESSORT CYLINDRIQUE	5.332-425.0	1
11	VENTILSITZ / VALVE SEAT / SIEGE DE SOUPE	5.581-214.0	1
12	O-RING KPL./2ST.-R. / GASKET / BAQUE D'ETANCHEITE	6.362-450.0	1
13	FORMSCHRAUBE / SCREW / VIS	5.305-263.0	1
14	DUESENEINSATZ / NOZZLE INSERT / INSERT DE BUSE	5.769-141.0	1
15	O-RING 9,0 X 1,5 / GASKET / BAQUE D'ETANCHEITE	6.362-384.0	1
16	ROHR / PIPE / TUYAU	5.028-692.0	1
17	SCHRAUBENFEDER / HELICAL SPRING / RESSORT CYLINDRIQUE	5.332-124.0	1
18	KUGEL 7,0 / BALL / BOULE	7.401-908.0	1
19	O-RING 6,0 X 2,0 / GASKET / BAQUE D'ETANCHEITE	6.362-383.0	1
20	O-RING 14,0 X 1,5 / GASKET / BAQUE D'ETANCHEITE	6.362-533.0	1
21	SCHRAUBSTUTZEN / SCREW UNION / RACCORD FILETE	5.402-523.0	1
22	O-RING 10,0 X 2,0 / GASKET / BAQUE D'ETANCHEITE	6.362-151.0	1
23	SCHLAUCHNIPPEL / HOSE STEM / RACCORD DE FLEXIBLE	5.443-281.0	1
24	GRIFF / HANDLE / POIGNEE	5.321-318.0	1
25	SCHLAUCH DN 5 / HOSE / TUYAU FLEXIBLE	6.388-216.0	1
	ALS METERWARE BESTELLEN/TO ORDER AS CUT GOODS/COMMANDE COMME MARCHANDISE AU METRE		
26	FILTER MIT GEWICHT / FILTER / FILTRE	5.731-609.0	1
27	VENTILSCHRAUBE / VALVE SCREW / VIS POINTEAU (SOUP.)	5.583-146.0	1
28	O-RING 14,0 X 2,0 / GASKET / BAQUE D'ETANCHEITE	6.362-481.0	1
29	O-RING 13,0 X 2,0 / GASKET / BAQUE D'ETANCHEITE	6.362-381.0	1
30	VENTIL KPL. / VALVE / SOUPE	4.580-323.0	1

"=> xxxxxx" = bis Werknummer / up to serial No. / jusqu' au No. de fabr. / "xxxxxx =>" = ab Werknummer / from serial No. / a partir du No. de fabr. /



Symbolbeschreibung siehe M16 / symbol description see M16 / désignation de système voir M16 /

GRUPPE: 2.3 KOLBEN
GROUP: 2.3 PISTON
GRUPPE: 2.3 PISTON

G2

-HD 3600 DH

POS.	BENNENNUNG	TEILE-NR.	STCK
ITM.	DESCRIPTION	PART-NO.	QTY.
POS.	DESIGNATION	NO.PIECE	NBR.
1	SCHRAUBE M 6X 25 / SCREW / VIS	7.306-094.0	2
2	NUTRING 16X24X7 / GROOVED RING / JOINT A LEVRES	6.365-322.0	3
3	GEHAEUSE / HOUSING / BOITIER	5.060-676.0	1
4	O-RING 88,57X 2,62 / GASKET / BAQUE D'ETANCHEITE	6.362-963.0	1
5	SPRENGRING A 16 / SPRING RING / CIRCLIP	7.343-478.0	3
6	SCHEIBE / WASHER / RONDELLE	5.115-689.0	3
7	KOLBEN KPL. / PISTON / PISTON	4.553-172.0	3
8	SCHRAUBENFEDER / HELICAL SPRING / RESSORT CYLINDRIQUE	5.332-403.0	3

"=> xxxxxx" = bis Werknummer / up to serial No. / jusqu' au No. de fabr. / "xxxxxx =>" = ab Werknummer / from serial No. / a partir du No. de fabr. /

GRUPPE: 3.0 MOTOR
GROUP: 3.0 MOTOR
GRUPPE: 3.0 MOTEUR

A3

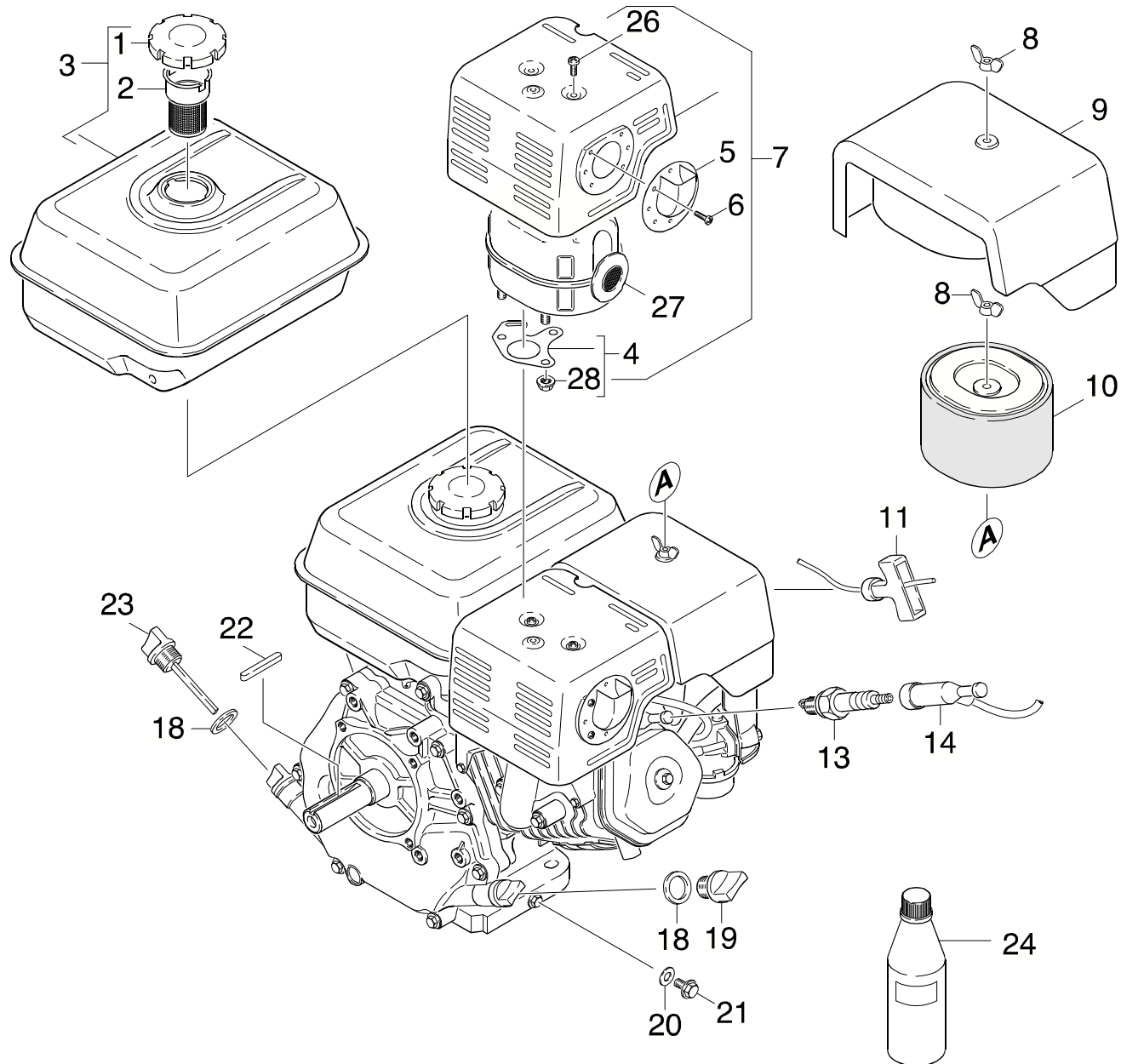
-HD 3600 DH

GRUPPE: 3.0 MOTOR
GROUP: 3.0 MOTOR
GRUPPE: 3.0 MOTEUR

GRUPPE: 3.1 MOTOR
GROUP: 3.1 MOTOR
GRUPPE: 3.1 MOTEUR

B3

-HD 3600 DH



Symbolbeschreibung siehe M16 / symbol description see M16 / désignation de système voir M16 /

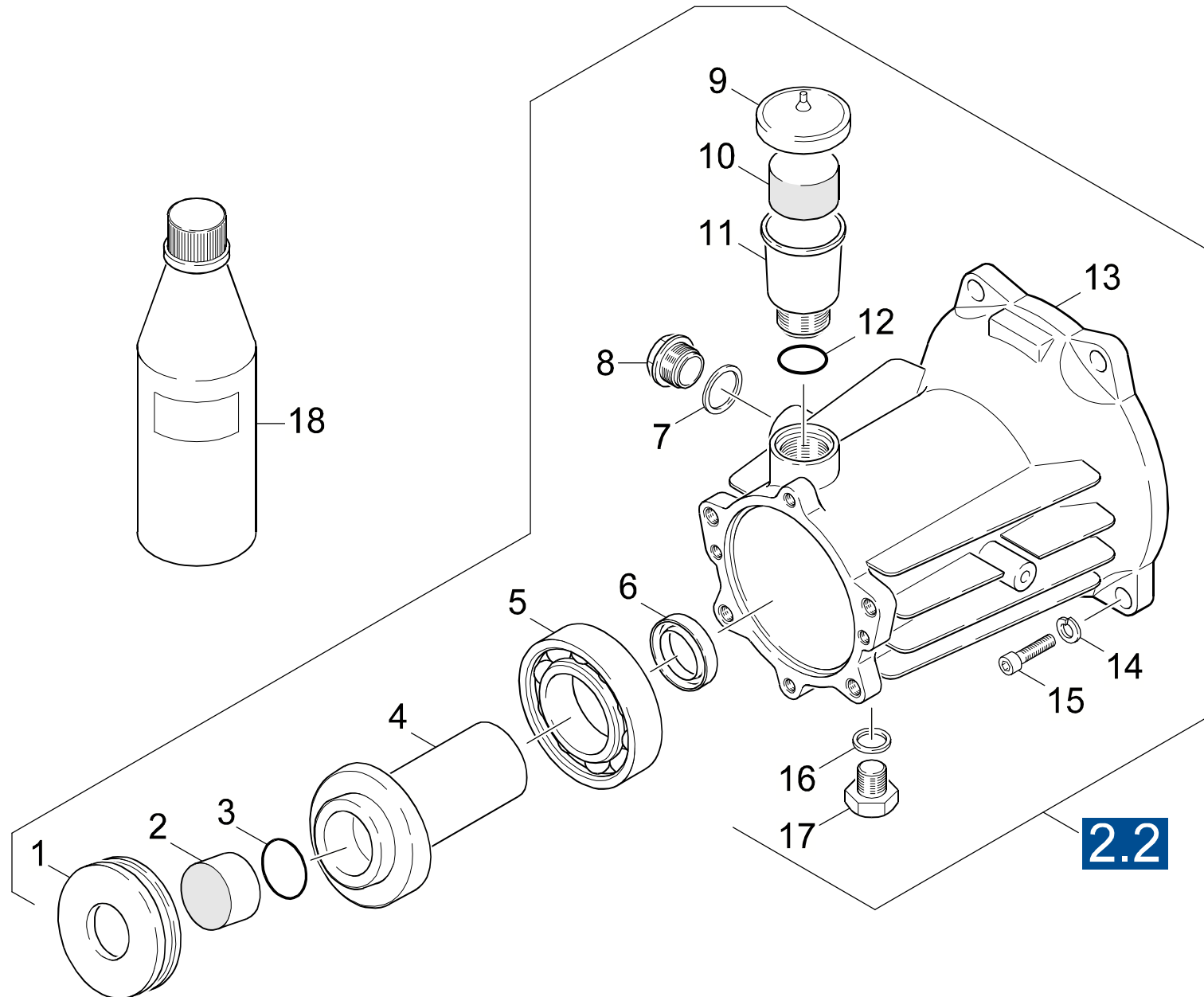
GRUPPE: 3.1 MOTOR
GROUP: 3.1 MOTOR
GROUPE: 3.1 MOTEUR

C3

-HD 3600 DH

POS. ITM. POS.	BENNENUNG DESCRIPTION DESIGNATION	TEILE-NR. PART-NO. NO.PIECE	STCK QTY. NBR.
1	TANKDECKEL KPL. / CAP OF A TANK / BOUCHON DE RESERVOIR	6.491-347.0	1
2	FILTER / FILTER / FILTRE	9.194-503.0	1
3	TANK / TANK / RESERVOIR	9.194-501.0	1
4	DICHTUNG / SEAL / BOURRAGE	6.491-348.0	1
5	AUSPUFFDECKEL / EXHAUST COVER / ECHAPPEMENT COUVERCLE	9.194-509.0	1
6	SCHRAUBE M4X6 / SCREW / VIS	9.194-518.0	1
7	HAUBE AUSPUFF / COVER / CAPOT	9.194-507.0	1
8	FLUEGELMUTTER / WING NUT / ECROU A OREILLES	9.194-522.0	1
9	LUEFTERHAUBE / BLOWER COVER / CAPOT DE VENTILATEUR	9.194-499.0	1
10	LUFTFILTEREINSATZ / AIR FILTER ELEMENT / CARTOUCHE FILTRANTE	6.491-345.0	1
11	ANLASSERSEIL KPL. / STARTER ROPE / CABLE DE DEMARRAGE	6.491-350.0	1
13	ZUENDKERZE / IGNITION PLUG / BOUGIE D'ALLUMAGE	9.194-528.0	1
14	ZUENDKERZENSTECKER / STARK PLUG CONNECTOR / COSSE POUR BOUGIE	9.194-514.0	1
18	OELDICHTRING / OELDICHTRING / OELDICHTRING	9.194-496.0	2
19	ABLASSSCHRAUBE / DRAIN SCREW / VIS D'ECOULEMENT	9.194-495.0	1
20	SCHEIBE / WASHER / RONDELLE	9.194-526.0	1
21	BOLZEN / BOLT / BOULON	9.194-520.0	1
22	PASSFEDER 6,3X38 / SPRING / RESSORT D'ADJUSTAGE	6.491-176.0	1
23	OELMESSTAB / OIL DIP ROD / JAUGE NIVEAU D'HUILE	9.194-492.0	1
24	MOTORENOEL 1L / ENGINE OIL / HUILE (MOTEUR)	6.288-050.0	1
26	SCHRAUBE M4X 6 / SCREW / VIS	9.194-516.0	1
27	AUSPUFF KPL. / EXHAUST / ECHAPPEMENT	9.194-505.0	1
28	MUTTER / NUT / ECROU	9.194-524.0	1

"=> xxxxxx" = bis Werknummer / up to serial No. / jusqu' au No. de fabr. / "xxxxxx =>" = ab Werknummer / from serial No. / a partir du No. de fabr. /



2.2

Symbolbeschreibung siehe M16 / symbol description see M16 / désignation de système voir M16 /

GRUPPE: 3.2 ANTRIEB
GROUP: 3.2 GEAR
GROUPE: 3.2 ENTRAINEMENT

E3

-HD 3600 DH

POS. ITM. POS.	BENNENNUNG DESCRIPTION DESIGNATION	TEILE-NR. PART-NO. NO.PIECE	STCK QTY. NBR.
1	AXIALROLLENLAGER / THRUST ROLLER BEARING / BUTEE A ROULEAUX	6.401-334.0	1
2	STOPFEN / PLUG / BOUCHON	5.132-144.0	1
3	O-RING 28,0 X 2,0 / GASKET / BAQUE D'ETANCHEITE	6.362-810.0	1
4	TAUMELSCHEIBE / SWASH PLATE / DISQUE EN NUTATION	5.120-324.0	1
5	KEGELROLLENLAGER 41 / TAPER ROLLER BEARIN / PALIER A ROULEAUX	6.401-225.0	1
6	RWDR A40 X 52 X 7 / ROTARY SHAFT SEAL / JOINT (ARBRE)	7.367-011.0	1
7	DICHTUNG / SEAL / BOURRAGE	6.362-585.0	1
8	VERSCHLUSSSCHRAUBE / CLOSING SCREW / VIS DE FERMETURE	5.411-062.0	1
9	DECKEL / COVER / COUVERCLE	5.063-651.0	1
10	STOPFEN / PLUG / BOUCHON	5.132-107.0	1
11	BEHAELTER / TANK / BAC	5.070-194.0	1
12	O-RING 22,3 X 2,4 / GASKET / BAQUE D'ETANCHEITE	6.362-168.0	1
13	GEHAEUSE / HOUSING / BOITIER	5.060-827.0	1
14	SCHEIBE / WASHER / RONDELLE	6.312-066.0	4
15	SCHRAUBE 3/8"-16 / SCREW / VIS	9.196-015.0	4
16	DICHTRING 14 X18 / JOINT RING / BAGUE D'ETANCHEITE	7.362-005.0	1
17	VS-SCHRAUBE M14X1,5 / CLOSING SCREW / VIS DE FERMETURE	7.382-233.0	1
18	MOTORENOEL 1L / ENGINE OIL / HUILE (MOTEUR)	6.288-050.0	1

"=> xxxxxx" = bis Werknummer / up to serial No. / jusqu' au No. de fabr. / "xxxxxx =>" = ab Werknummer / from serial No. / a partir du No. de fabr. /

GRUPPE: 4.0 ZUBEHOER
GROUP: 4.0 ACCESSORIES
GRUPPE: 4.0 ACCESSOIRES

A4

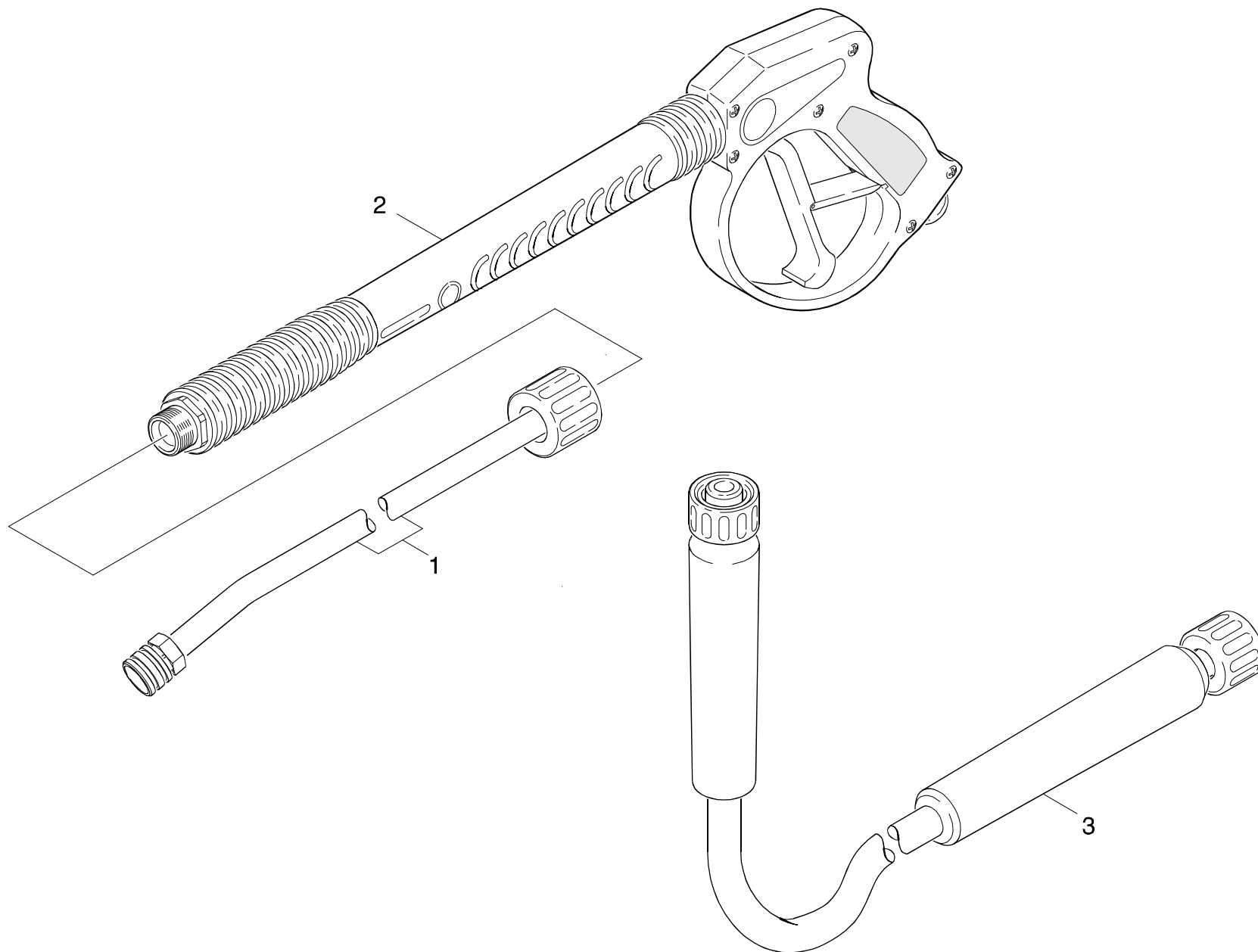
-HD 3600 DH

GRUPPE: 4.0 ZUBEHOER
GROUP: 4.0 ACCESSORIES
GRUPPE: 4.0 ACCESSOIRES

GRUPPE: 4.1 HANDSPRITZPISTOLE
GROUP: 4.1 TRIGGER GUN
GRUPPE: 4.1 POIGNEE PISTOLET

B4

-HD 3600 DH



Symbolbeschreibung siehe M16 / symbol description see M16 / désignation de système voir M16 /

GRUPPE: 4.1 HANDSPRITZPISTOLE
GROUP: 4.1 TRIGGER GUN
GRUPPE: 4.1 POIGNEE PISTOLET

C4

-HD 3600 DH

POS.	BENNENNUNG	TEILE-NR.	STCK
ITM.	DESCRIPTION	PART-NO.	QTY.
POS.	DESIGNATION	NO.PIECE	NBR.
1	STRAHLROHR / JET PIPE / LANCE D'INCENDIE	9.112-508.0	1
2	HANDSPRITZPISTOLE / TRIGGER GUN / POIGNEE PISTOLET	9.112-009.0	1
3	HD-SCHLAUCH / HIGH PRESSURE HOSE / TUYAU FLEXIBLE HAUTE PRE.	9.162-314.0	1

"=> xxxxxx" = bis Werknummer / up to serial No. / jusqu' au No. de fabr. / "xxxxxx =>" = ab Werknummer / from serial No. / a partir du No. de fabr. /